

Prior Scientific Help Guides and Installation Instructions

UPDATED 09 June May 2015

Installation of a flat topped stage on a BX63 *and* Adjusting limit switches.

Using this guide will provide assistance in installing the H101F flat top stage on a BX63 Olympus microscope. It will also show how the axis limits on the flat top stage can be changed.

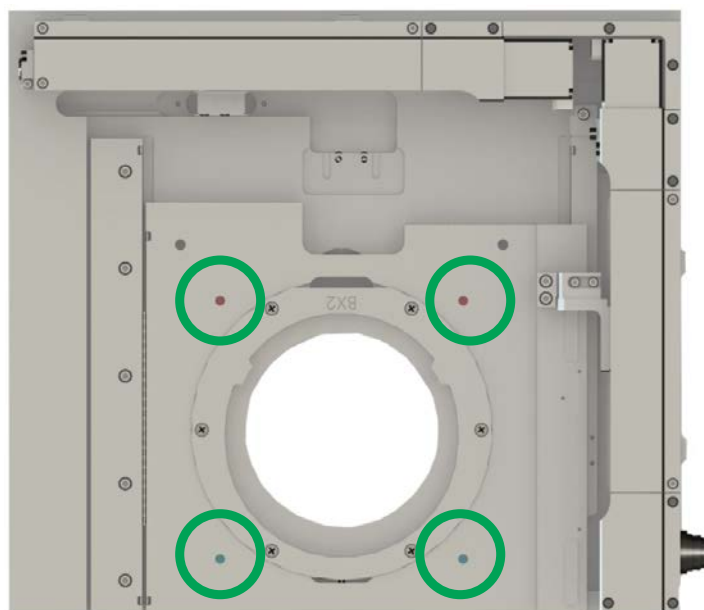
You should only use this guide if you are familiar with Prior products. If you have any questions or comments please do not hesitate to contact Prior Scientific.

BX63 Installation.

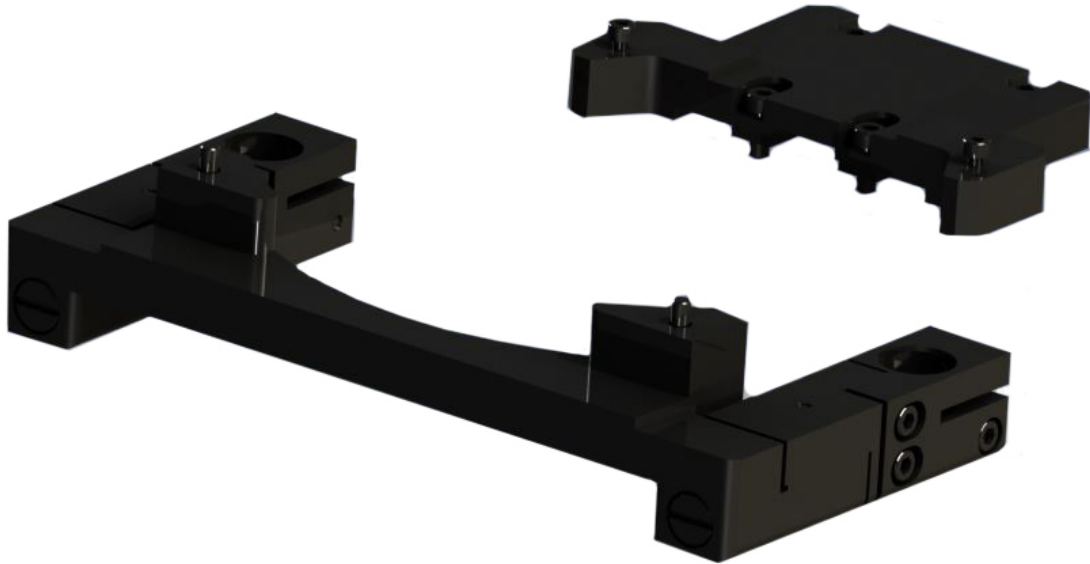
The flat top stage is shown below. The sample holder is highlighted in green, the Y axis limits in red and the X axis limits in blue.



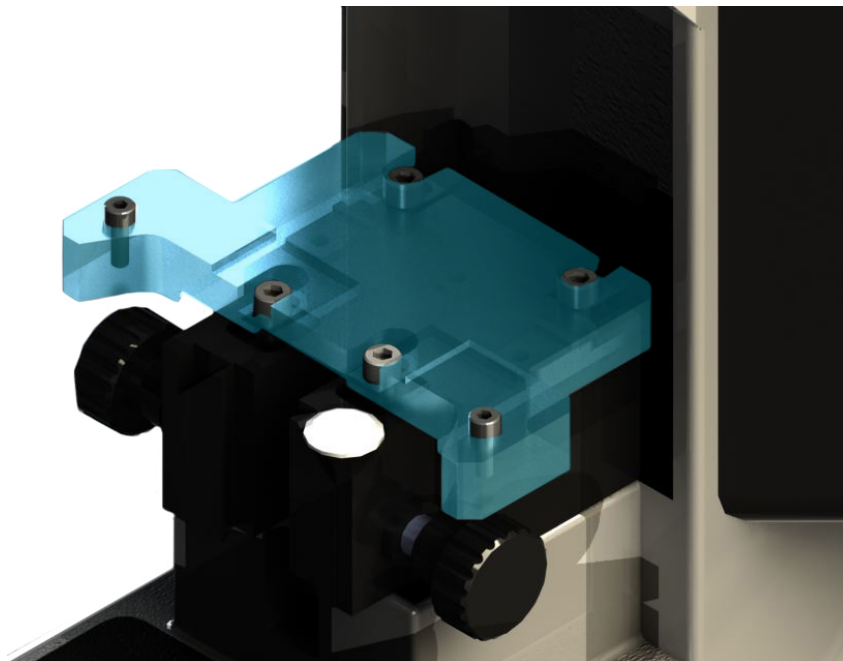
The view of the underside of the flat top stage is shown below. The front stage bracket mounting holes are ringed with green rings.



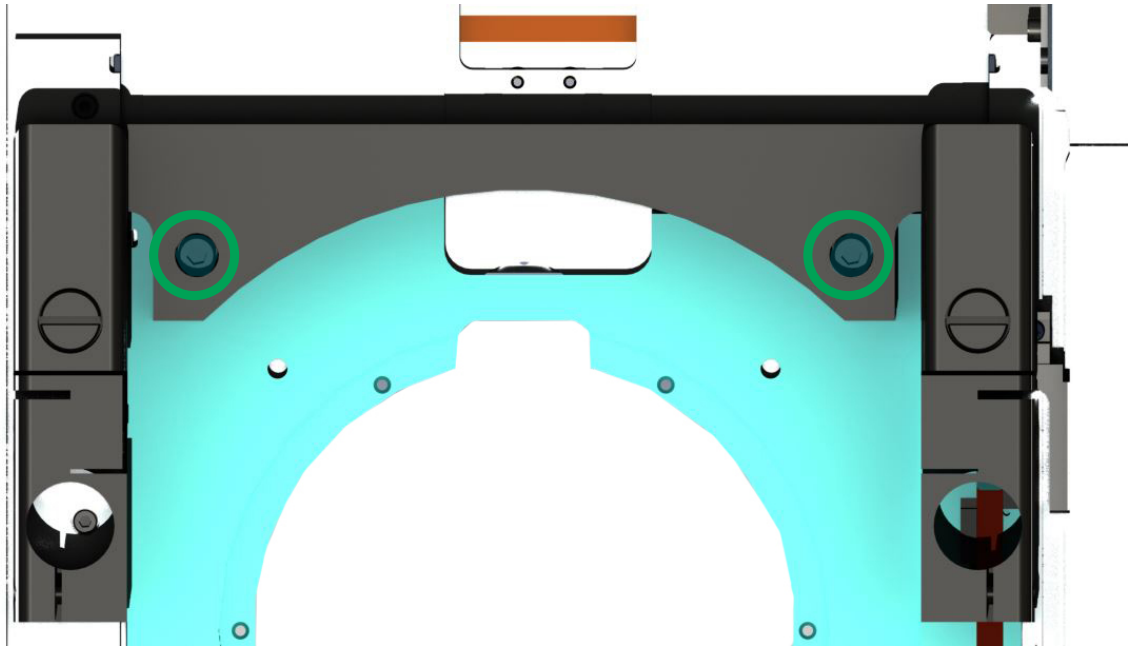
The two mounting brackets are shown below. The larger one, in front, is the front stage bracket whilst the back stage bracket, behind, is smaller.



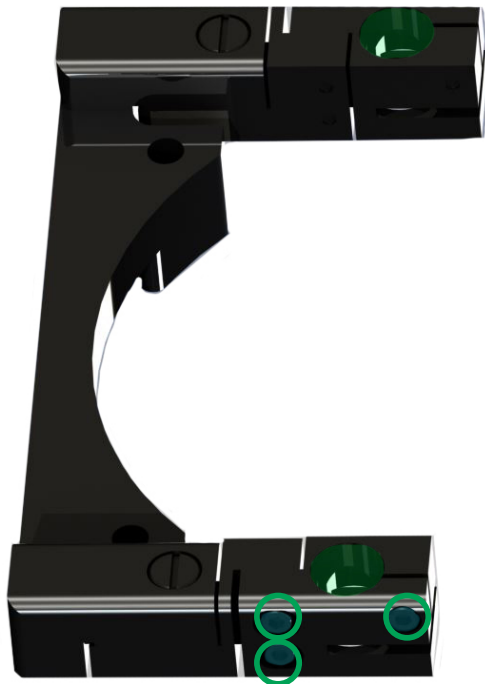
The first step is to mount the Back Stage Bracket, highlighted in blue, to the OlympusSub-Stage using the screws provided.



Secondly, mount the Front Stage Bracket (black) to the bottom of the H101F stage (blue) using the two screws provided (ringed).

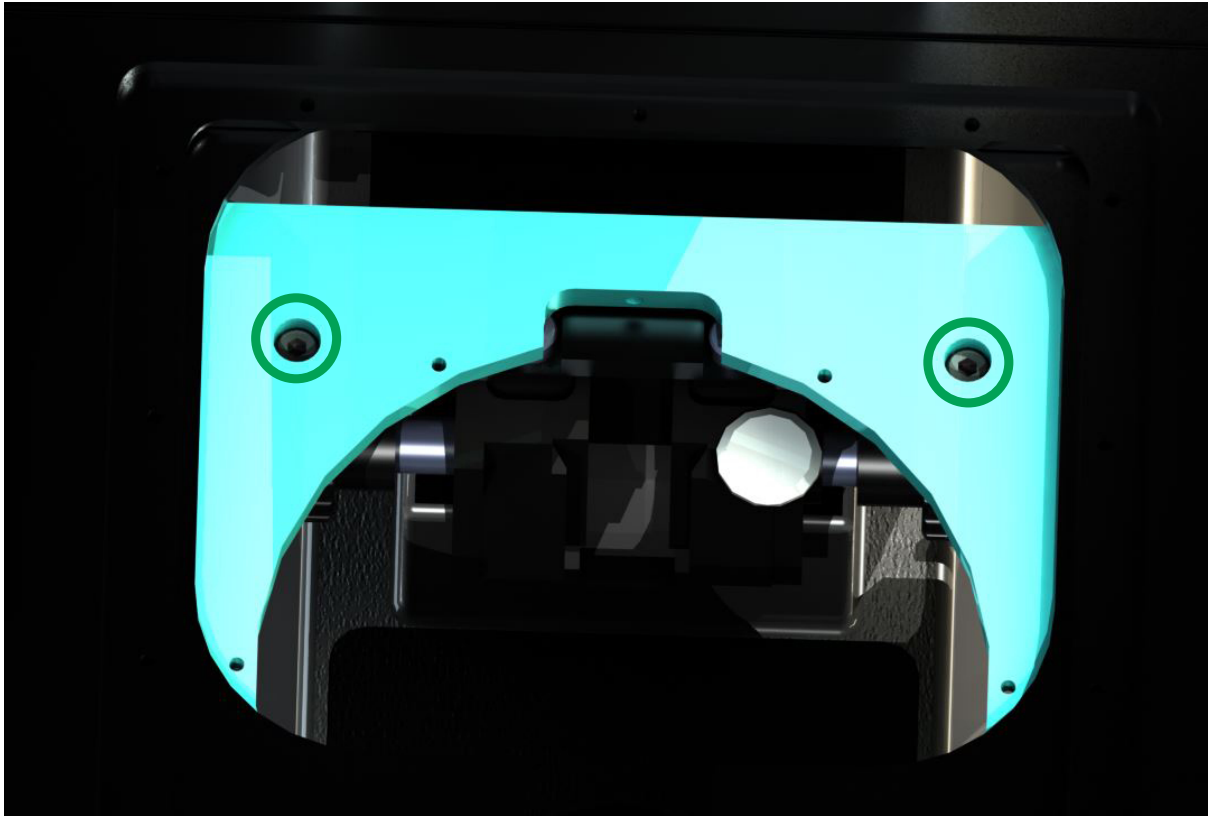


Slightly loosen the leg clamping screws (ringed) to allow the legs to fit into the holes (highlighted green) on the Front Stage bracket.

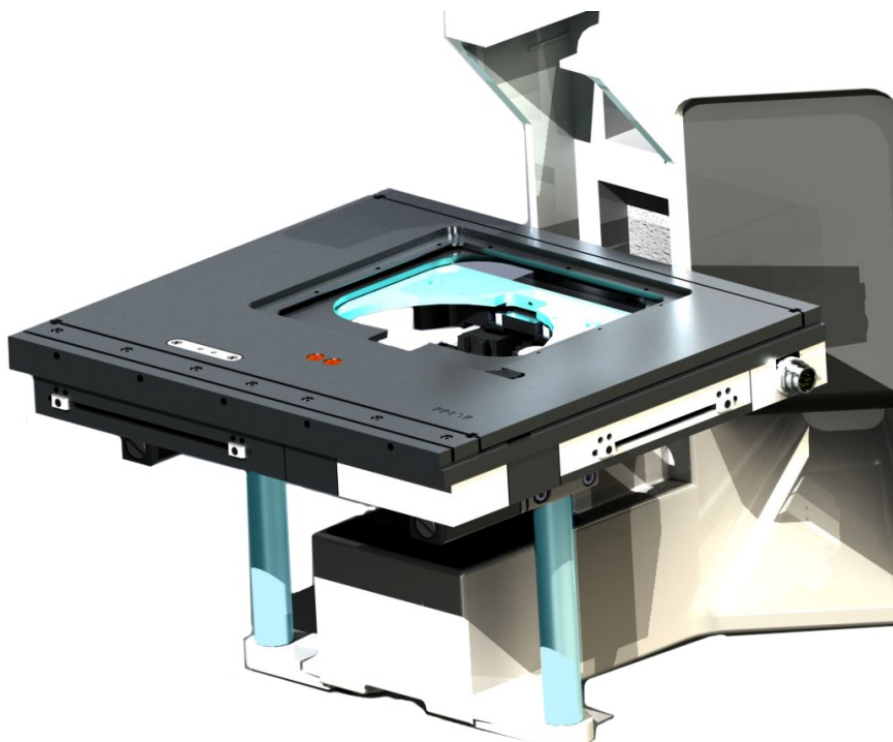


Lower the stage onto the microscope making sure that the legs fit into the corresponding holes in the Front Stage Bracket. DO NOT TIGHTEN THE LEG CLAMPING SCREWS YET.

Fix the stage to the microscope using the two stage fixing screws (ringed) to the Back Stage Bracket (blue), accessed from the top of the stage through the stage insert cut out.

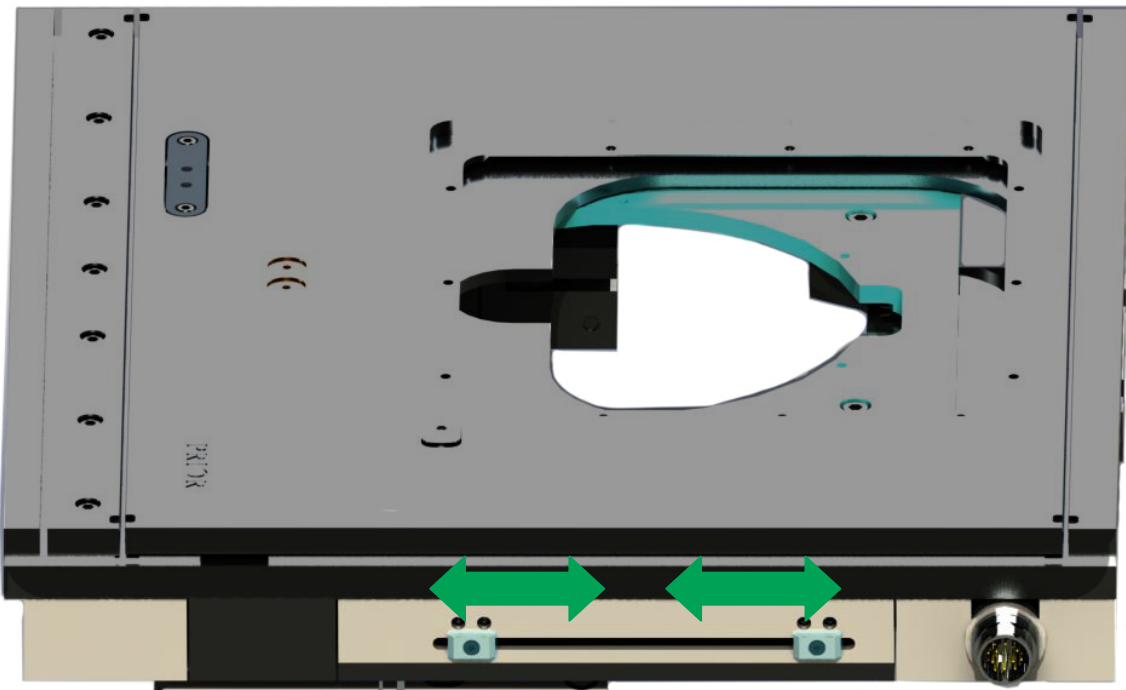
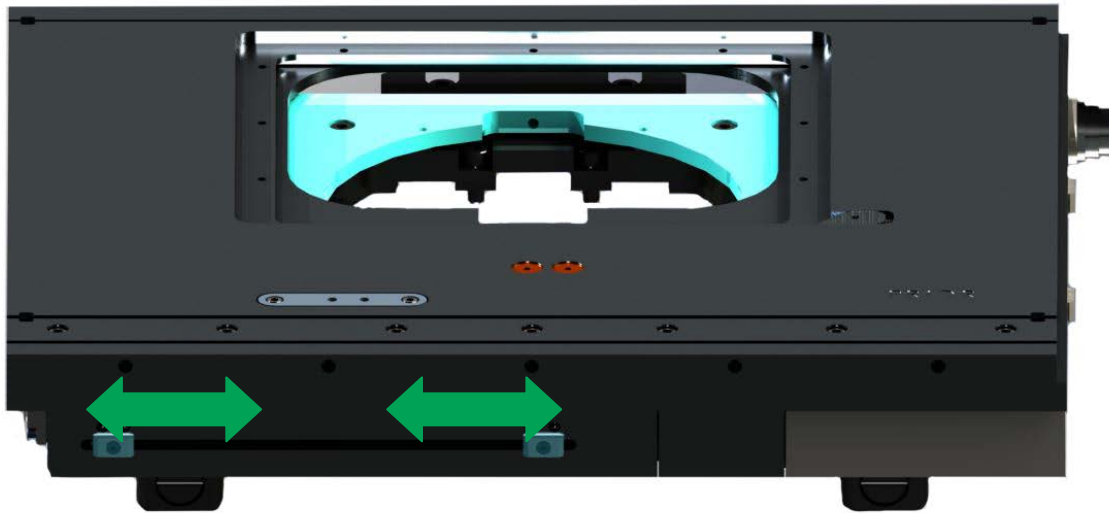


Once the Back Stage Bracket Fixing Screws have been tightened, tighten the leg clamping screws to provide support to the front of the stage. Mount the appropriate stage insert – your installation is now complete.



Adjusting the Axis Limit Switches

The H101F Flat Top stage has external stage limits fitted on the X (top image) and Y axis (bottom image). These limits can be altered by the user to adjust the travel range of the stage to suit the application.



Use an Allen Key to slightly loosen the front or back limit switches and slide the limit along the groove until the desired position has been reached. Once the desired position has been reached tighten the limit switch to prevent it being moved as the stage travels.

