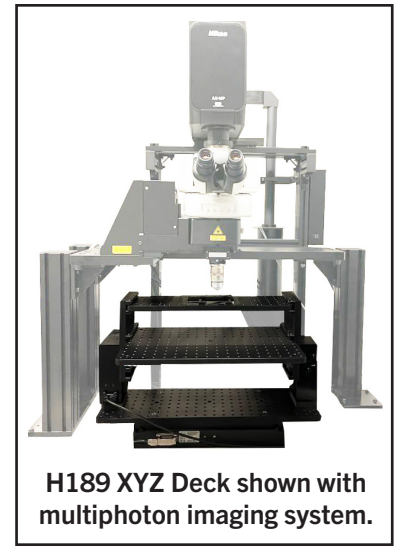


HIGH PRECISION MOTORIZED XYZ DECK H189



H189 XYZ Deck shown with multiphoton imaging system.

Prior Scientific's new motorized XYZ DECK is the next generation of the DECK series by Prior. As a natural evolution from the original Z DECK, the new XYZ Deck is purposely designed to match the increased size and versatility of the latest generation of 2P/3P/Multiphoton/Confocal microscopy systems utilizing all the potential of the added sample space and microscope power of these new microscopes. Important features of the XYZ Deck include:

- Large removable metric breadboard is ideal for remote sample prep
- Sample height adjustable from 79.5mm to 410mm
- 50mm of motorized XY and Z travel
- Compatible with Queensgate Piezo Z models
- Ideal for large range of samples from whole animal *in vivo* studies to slides and petri dishes
- 100 kg XY stage capacity, 25kg Z axis lifting capacity
- Fast up/down control at the touch of a button
- Ideal for use with manipulators, probes or other sensory devices
- Includes DECK plate compatible with standard 160mm x 110mm Prior sample holders
- Compatible with most imaging software via the Prior ProScan III controller

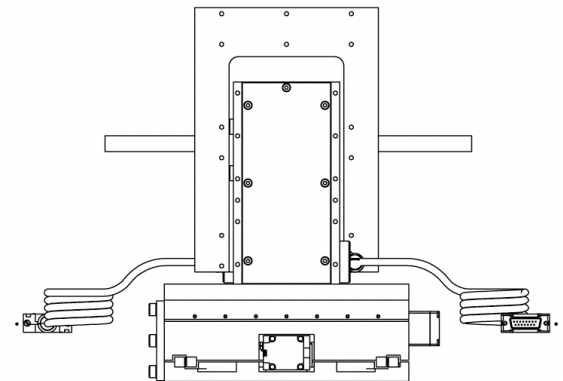
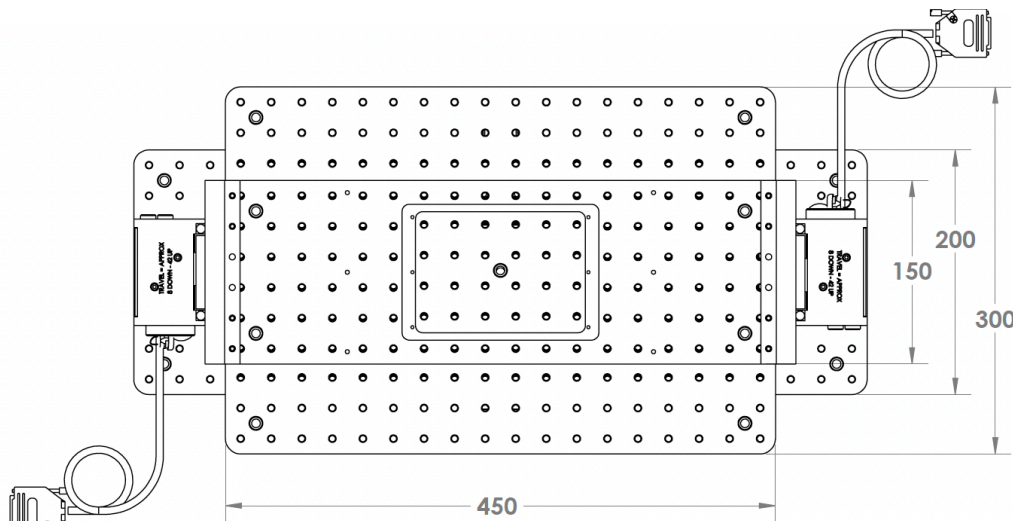
Key Features

- Shelves remove for easy sample prep
- 25kg load lifting capacity
- Can be used with Queensgate Piezo Z module
- Controlled by Prior's ProScan III controller
- Compatible with most imaging software

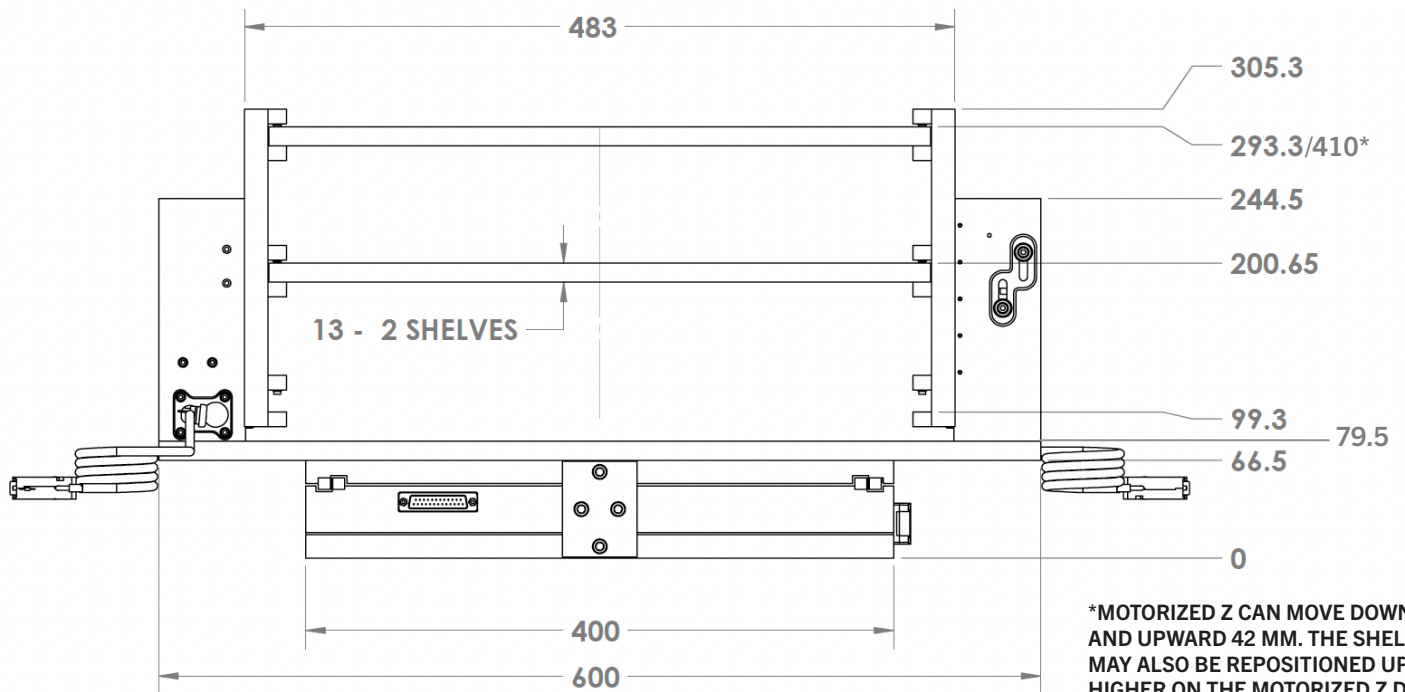
Applications

- Multi-photon confocal microscopy
- Two photon microscopy
- Live animal research

Technical Information



TRAVEL IN THIS AXIS IS + OR - 25MM SIDE TO SIDE



TRAVEL IN THIS AXIS IS + OR - 25MM SIDE TO SIDE

UNITED KINGDOM

Prior Scientific Instruments Ltd.
Units 3-4 Fielding Industrial Estate
Wilbraham Road, Fulbourn
Cambridge, CB21 5ET
United Kingdom
Email: inquiries@prior.com
Phone: +44 (0)1223 881711

U.S.A.

Prior Scientific, Inc.
80 Reservoir Park Drive
Rockland, MA. 02370
U.S.A.
Email: info@prior.com
Phone: +1 781.878.8442

GERMANY

Prior Scientific Instruments GmbH
Maria-Pawlowna-Str. 4
D-07743, Jena, Germany
Email: jena@prior.com
Phone: +49 (0) 3641 24 20 10

JAPAN

Kayabacho 3rd Nagaoka Bldg 10F,
2-7-10, Nihonbashi Kayabacho, Chuo-Ku,
Tokyo103-0025, Japan
Email: info-japan@prior.com
Phone: 03-5652-8831

CHINA

Prior Scientific Instruments (Suzhou) Ltd.
Room 1812, Honghai Building,
72 Xingdu Street, Suzhou Industrial Park,
Suzhou, 215000 China
Email: info-china@prior.com
Phone: +86 (0)512 6617 5866

